

IEC Appliance Inlet C16A, Screw-on Mounting, Front or Rear Side, Quick-connect or Screw-on Terminal



**Description**

- Panel Mount:  
Screw-on mounting, front or rear-side
- 1 Function:

- Appliance Inlet, Pin temperature 155 °C, Protection class I

**Approvals**

- VDE Certificate Number: 40009510
- CSA File Number: 27324

**References**

We recommend for new applications the type 6120-3  
Last order date: 31.12.2013

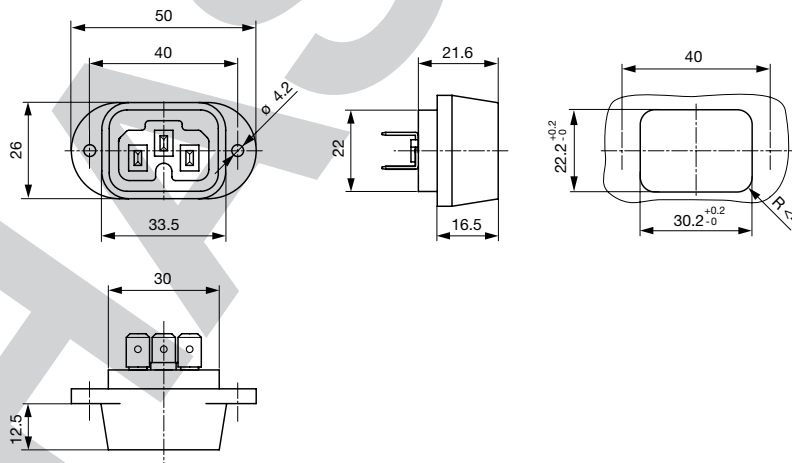
**Weblinks**

[pdf-datasheet](#), [html-datasheet](#), [General Product Information](#), [Approvals](#), [CE declaration of conformity](#), [RoHS](#), [CHINA-RoHS](#), [REACH](#), [Mating Connectors](#), [e-Shop](#), [SCHURTER-Stock-Check](#), [Distributor-Stock-Check](#), [CAD-Drawings](#), [Accessories](#), [Detailed request for product](#)

**Technical Data**

Ratings IEC	10A / 250VAC; 50Hz	Appliance Inlet	C16A acc. to IEC 60320
Ratings UL/CSA	15A / 250VAC; 60Hz		UL 498, CSA C22.2 no. 42 (for hot conditions) pin-temperature 155 °C, 10A, Protection Class I
Dielectric Strength	> 3kVAC between L-N > 1.5kVAC between L/N-PE (1 min/50Hz)		
Allowable Operation Temp.	-25 °C to 155 °C		
Degree of Protection	from front side IP 20 acc. to IEC 60529		
Protection Class	Suitable for appliances with protection class I acc. to IEC 61140		
Material: Housing	black or grey		

**Dimensions**



Length of the terminal please find at the order code configuration table

**Config. Code**


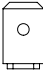
0183 - H - ABC0 - D - EO

The characters are placeholders for the correspondingly keys of selections from the key tables.

0183 - H - ABC0 - D - EO = Type

Type	Configuration key
protection class 1	X

## 0183 - H - A B C 0 - D - E O = Terminals

Terminal L	Configuration key
Blade terminal (4.8 x 0.8 mm) 	8
Blade terminal (6.3 x 0.8 mm) 	9
screw terminal	A

## 0183 - H - A B C 0 - D - E O = Terminals

Terminal N	Configuration key
Blade terminal (4.8 x 0.8 mm)	8
Blade terminal (6.3 x 0.8 mm)	9
screw terminal	A

Symbols similar as in table A

## 0183 - H - A B C 0 - D - E O = Terminals

## All Variants

Config. Code	Description	Order Number
0183-X-8880-A-2	0183, IEC Appliance Inlet C16A, 155°C, version: protection class 1, L: Blade terminal (4.8 x 0.8 mm), N: Blade terminal (4.8 x 0.8 mm), ground: Blade terminal (4.8 x 0.8 mm), color: Black, design: flange with through holes, dimension S: , features:	6172.0008
0183-X-9990-A-2	0183, IEC Appliance Inlet C16A, 155°C, version: protection class 1, L: Blade terminal (6.3 x 0.8 mm), N: Blade terminal (6.3 x 0.8 mm), ground: Blade terminal (6.3 x 0.8 mm), color: Black, design: flange with through holes, dimension S: , features:	6172.0009
0183-X-AAA0-A-2	0183, IEC Appliance Inlet C16A, 155°C, version: protection class 1, L: screw terminal, N: screw terminal, ground: screw terminal, color: Black, design: flange with through holes, dimension S: , features:	6172.0011
0183-X-AAA0-C-2	0183, IEC Appliance Inlet C16A, 155°C, version: protection class 1, L: screw terminal, N: screw terminal, ground: screw terminal, color: Grey, design: flange with through holes, dimension S: , features:	6172.0012

The listed variants should be available from stock. Other versions on request [www.schurter.com/contact](http://www.schurter.com/contact)Availability for all products can be searched real-time: <http://www.schurter.com/en/Stock-Check/Stock-Check-SCHURTER>

Packaging unit 50 Pcs

## Mating Outlets/Connectors

## Category / Description

## Connector Overview complete



IEC Connector C15A, Rewireable, Straight	0102
IEC Connector C15A, Rewireable, Straight	0102-G
IEC Connector C15A, Rewireable, Angled	0112
IEC Connector C15A, Rewireable, Straight	4771
IEC Connector C15A, Rewireable, Angled	4772

Connector further types to 0183

Terminal Ground	Configuration key
Blade terminal (4.8 x 0.8 mm)	8
Blade terminal (6.3 x 0.8 mm)	9
screw terminal	A

Symbols similar as in table A

## 0183 - H - A B C 0 - D - E O = Color

Color	Configuration key
Black	A
Grey	C

## 0183 - H - A B C 0 - D - E O = Style

Style	Configuration key
flange with through holes	2

## 0183 - H - A B C 0 - D - E O = Features

Features	Configuration key
without V-Lock	
V-Lock	V