

## IEC Connector C19, Rewireable, Straight



C19



70 °C

**Description**

- Rewireable plug for cable 90° entry:  
Screwing cable terminal, Connector, Pin temperature 70 °C, Protection class I, Cable
- Note: strain relief has to be ordered separately, mating strain reliefs please find under accessories

**Approvals**

- VDE Certificate Number: 40008423
- CSA File Number: 1435558

**References**

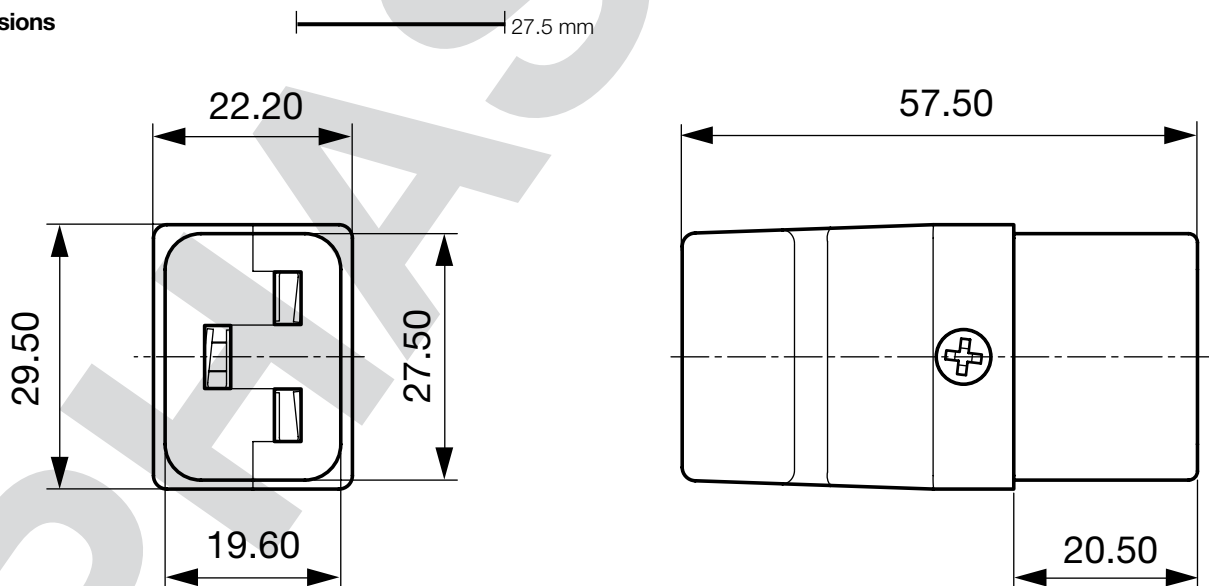
We recommend for new applications the type [4795](#)  
Last order possibility: 31.05.2011

**Weblinks**

[pdf](#), [html](#), [General Product Information](#), [Approvals](#), [RoHS](#), [CHINA-RoHS](#), [Mating Connectors](#), [e-Shop](#), [SCHURTER-Stock-Check](#), [Distributor-Stock-Check](#), [Accessories](#), [Detailed request for product](#)

**Technical Data**

Ratings IEC	16 A / 250 VAC; 50 Hz	Connector	C19 acc. to IEC/EN 60320-2-2
Ratings UL/CSA	21 A / 250 VAC; 60 Hz		UL 498, CSA C22.2 no. 42 (for cold conditions) pin-temperature 70 °C, 16 A, Protection Class 1
Dielectric Strength	> 3 kVAC between L-N > 1.5 kVAC between L/N-PE (1 min/50 Hz)		
Allowable Operation Temp.	-25 °C to 70 °C		
Degree of Protection	from front side IP 20 acc. to IEC 60529		
Protection Class	Suitable for appliances with protection class 1 acc. to IEC 61140		
Terminal	Bolts and nuts		
Material: Housing	PA6, black / grey / white, UL 94V-0		

**Dimensions**

## Config. Code

1652 - H - A B C 0 - D - E J

The characters are placeholders for the correspondingly keys of selections from the key tables.

1652 - **H** - A B C 0 - D - E J = Type

Type	Configuration key
protection class 1	X

1652 - H - **A** B C 0 - D - E J = Terminals

Terminal L	Configuration key
screw terminal	A

1652 - H - A **B** C 0 - D - E J = Terminals

Terminal N	Configuration key
screw terminal	A

Symbols similar as in table A

1652 - H - A B **C** 0 - D - E J = Terminals

Terminal Ground	Configuration key
screw terminal	A

Symbols similar as in table A

1652 - H - A B C 0 - **D** - E J = Color

Color	Configuration key
Black	A
Grey	B
White	D

1652 - H - A B C 0 - D - **E** J = Style

Style	Configuration key
for cord assembly	8

1652 - H - A B C 0 - D - E **J** = Condition

Condition	Configuration key
assembled	1
disassembled	2

## Accessories

### Description



4311.0053  
PVC Strain Relief for cable outside diameter 8.7mm, 3 x 16AWG



4311.0068  
PVC Strain Relief for cable outside diameter 10mm, 3 x 14AWG



4311.9305  
PVC Strain Relief for cable outside diameter 8.7mm-10mm, 3 x 14AWG

## Description



4311.9306  
PVC Strain Relief for cable outside diameter 8.7mm-10mm, 3 x 14AWG



4311.9316  
PVC Strain Relief for cable outside diameter 8.7mm, 3 x 16AWG



4311.9317  
PVC Strain Relief for cable outside diameter 8.7mm, 3 x 16AWG



4311.9318  
PVC Strain Relief for cable outside diameter 10mm, 3 x 14AWG



4311.9319  
PVC Strain Relief for cable outside diameter 10mm, 3 x 14AWG

## Mating Inlets/Plugs

## Category / Description

[Appliance Inlet Overview complete](#)



IEC Appliance Inlet C20, Screw-on Mounting, Rear Side, PCB Terminal	1601
IEC Appliance Inlet C20, Screw-on Mounting, Front Side, Solder, Quick-connect or Screw Terminal	1621
IEC Appliance Inlet C20, Snap-in Mounting, Front Side, Solder or Quick-connect Terminal	4793
IEC Appliance Inlet C24, Snap-in Mounting, Front Side, Solder or Quick-connect Terminal	4794
IEC Appliance Inlet C20, Screw-on Mounting, Front Side, Solder or Quick-connect Terminal	4798

[Appliance Inlet further types to1652](#)



## Appliance inlets/-outlets Overview complete

Plug Coupler IEC C20 / IEC J, Screw-on Mounting	4730
-------------------------------------------------	------

Appliance inlets/-outlets further types to1652

## Plug Overview complete

IEC Plug I, Cord Connector (Rewireable), Straight	0106
IEC Plug I, Cord Connector (Rewireable), Angled	1611
IEC Plug I, Cord Connector (Rewireable), Straight	1612
IEC Plug I, Cord Connector (Rewireable), Angled	4789
IEC Plug I, Cord Connector (Rewireable), Straight	4796

Plug further types to1652

## Power Entry Module Overview complete

IEC Appliance Inlet C20 with Circuit Breaker	1624-K
IEC Appliance Inlet C20 with Line Switch, 1- or 2-pole	EC11
IEC Appliance Inlet C20 with Circuit Breaker TA45	EF11
	EG11

Power Entry Module further types to1652

## Power Entry Module with line filter Overview complete

IEC Appliance Inlet C20 with Filter, ECO design, front or rear side Mounting	5130
IEC Appliance Inlet C20 with Filter, Front or Rear Side Mounting	C20F
IEC Appliance Inlet C22 for Hot Conditions, with Filter for High Temperatures, Front Side Mounting	C22F
IEC Appliance Inlet C20 with Filter, Line Switch 2-pole	EC12
IEC Appliance Inlet C20 with Filter, Circuit Breaker TA45 (recessed)	EF12

Power Entry Module with line filter further types to1652

