

Power Cord with IEC Connector C7, Straight 70°C



C7  
  
 70°C

**Description**

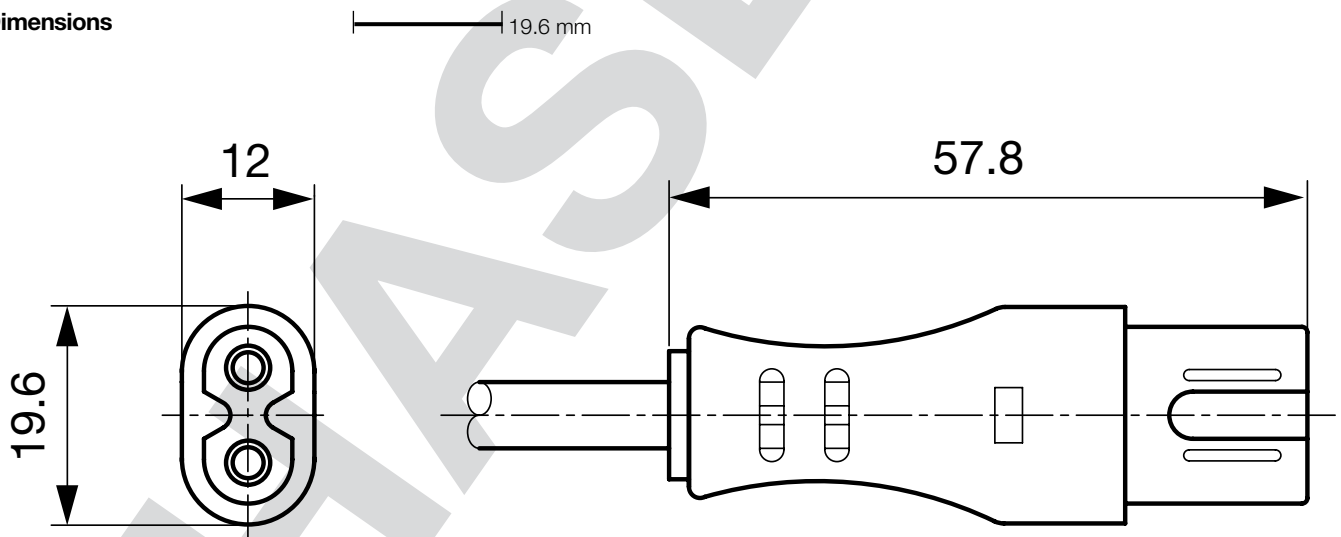
Power Supply Cord / Interconnection Cord, Protection class II, Pin temperature 70 °C, Cable

**Weblinks**

[pdf](#), [html](#), [General Product Information](#), [Approvals](#), [RoHS](#), [CHINA-RoHS](#), [Mating Connectors](#), [e-Shop](#), [SCHURTER-Stock-Check](#), [Distributor-Stock-Check](#), [Accessories](#), [Detailed request for product](#)

**Technical Data**

Ratings IEC	2.5 A / 250 VAC; 50 Hz	Connector	C7 acc. to IEC/EN 60320-1
Ratings UL/CSA	2.5 A / 250 VAC; 60 Hz		UL 498, CSA C22.2 no. 42 (for cold conditions) pin-temperature 70 °C, 2.5 A, Protection Class 2
Dielectric Strength	> 3 kVDC between L-N > 1.5 kVAC between L/N-PE (1 min/50 Hz)		
Allowable Operation Temp.	-25 °C to 70 °C		
Degree of Protection	from front side IP 20 acc. to IEC 60529		
Protection Class	Suitable for appliances with protection class 2 acc. to IEC 61140		
Terminal	moulded		
Material: Housing	PVC, black or grey		

**Dimensions**

## Config. Code

### 4810 - R - Type - D - Length

The characters are placeholders for the correspondingly keys of selections from the key tables.  
Typ steht für die Dose bzw. 2. Seite, Länge ist die Leitungslänge in mm.

### 4810 - R - Type - D - Length = cord type

cord type	Configuration key
H03VH2-F 2x0,75mm2	B
H05VH2-F 2x0,75mm2	E
SVT 2x18AWG	M

Cord definition is detailed in general product information XXX

### 4810 - R - Type - D - Length = Cord end 2

Cord end 2
zzzz, 2225, 2228, 2711, 2712, 2730, 2731, 4121, 4190, 607B, 608B, 609B

### 4810 - R - Type - D - Length = Color

Color	Configuration key
Black	A
Grey	B

**Packaging unit** 100 Pcs

## Mating Inlets/Plugs

### Category / Description

#### Appliance Inlet Overview complete

IEC Appliance Inlet C8, Screw-on Mounting, Rear Side, PCB-/Solder Terminal	0720-FP
IEC Appliance Inlet C8, Screw-on Mounting, Rear Side, Solder Terminal	0720-FS
IEC Appliance Inlet C8, Snap-in Mounting, Front Side, Solder Terminal	0721-PP
IEC Appliance Inlet C8, Snap-in Mounting, Front Side, Solder Terminal	0721-PS
IEC Appliance Inlet C8, insert Mounting, Solder, PCB or Quick-connect Terminal	2572

[Appliance Inlet further types to4810](#) ...

#### Interconnection Cord Overview complete

Interconnection Cord with IEC Plug C, Angled 70°C	2711
Interconnection Cord with IEC Plug C, Angled	2712
Interconnection Cord with IEC Plug C, Straight	2730
Interconnection Cord with IEC Plug C, Straight	2731

[Interconnection Cord further types to4810](#)

#### Power Entry Module Overview complete

IEC Appliance Inlet C8 with Line Switch 1-pole	CMF1, CMF4
------------------------------------------------	------------

[Power Entry Module further types to4810](#)



## Category / Description



Power Entry Module with line filter Overview complete

IEC Appliance Inlet C8 with Filter, Front Side Mounting

5008

Power Entry Module with line filter further types to4810

PHASE-OUT