

IEC Appliance Inlet C14 with Line Switch 1- or 2-pole



Description

- Panel Mount:
Snap-in version, from front side Appliance Inlet, Protection class I, Line Switch 1- or 2-pole
- Solder, Quick Connect or Screw Terminals

Approvals

- UL File Number: E45115
- CSA File Number: 1406497

Characteristics

- Line switch non-illuminated or illuminated

References

We recommend for new applications the type DC11
Last order date: 31.12.2014

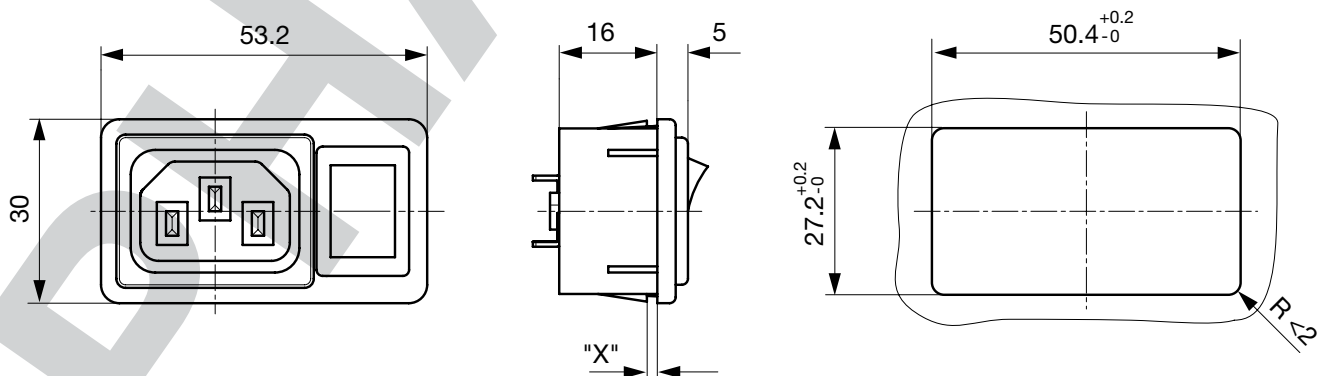
Weblinks

[pdf-datasheet](#), [html-datasheet](#), [General Product Information](#), [Approvals](#), [CE declaration of conformity](#), [RoHS](#), [CHINA-RoHS](#), [REACH](#), [Mating Connectors](#), [e-Shop](#), [SCHURTER-Stock-Check](#), [Distributor-Stock-Check](#), [CAD-Drawings](#), [Accessories](#), [Detailed request for product](#)

Technical Data

| | | | |
|---------------------------|---|-----------------|--|
| Ratings IEC | 10A / 250VAC; 50Hz | Appliance Inlet | C14 acc. to IEC 60320 |
| Ratings UL/CSA | 15A / 250VAC; 60Hz | | UL 498, CSA C22.2 no. 42 (for cold conditions) pin-temperature 70 °C, 10A, Protection Class I |
| Dielectric Strength | > 3kVAC between L-N > 1.5kVAC between L/N-PE (1 min/50Hz) | Line Switch | Rocker switch 1 or 2 pole, illuminated black or grey, acc. to IEC 61058-1 Technical Details |
| Allowable Operation Temp. | -25°C to 70°C | | |
| Degree of Protection | from front side IP 20 acc. to IEC 60529 | | |
| Protection Class | Suitable for appliances with protection class I acc. to IEC 61140 | | |
| Terminal | Solder, Quick Connect or Screw Terminals | | |
| Panel Thickness s | Snap-in Snap-in: 1/1.5/2/2.5/3 mm | | |
| Material: Housing | PA6, black or grey, UL 94V-0 | | |

Dimensions



Length of the terminal please find at the order code configuration table

Dimension "S" please ref. to table order code

Config. Code

6010-K - - A B C N - D - E G O P

The characters are placeholders for the correspondingly keys of selections from the key tables.

6010-K - - A B C N - D - E G O P = Terminals

| Terminal L | Configuration key |
|------------------------------------|-------------------|
| short solder terminal (L = 4.8 mm) | 2 |
| long solder terminal (L = 8.5 mm) | 3 |
| Blade terminal (4.8 x 0.8 mm) | 8 |
| Blade terminal (6.3 x 0.8 mm) | 9 |
| screw terminal | A |

6010-K - - A B C N - D - E G O P = Terminals

| Terminal N | Configuration key |
|------------------------------------|-------------------|
| short solder terminal (L = 4.8 mm) | 2 |
| long solder terminal (L = 8.5 mm) | 3 |
| Blade terminal (4.8 x 0.8 mm) | 8 |
| Blade terminal (6.3 x 0.8 mm) | 9 |
| screw terminal | A |

Symbols similar as in table A

6010-K - - A B C N - D - E G O P = Terminals

| Terminal Ground | Configuration key |
|------------------------------------|-------------------|
| short solder terminal (L = 4.8 mm) | 2 |
| long solder terminal (L = 8.5 mm) | 3 |
| Blade terminal (4.8 x 0.8 mm) | 8 |
| Blade terminal (6.3 x 0.8 mm) | 9 |
| screw terminal | A |

Symbols similar as in table A

6010-K - - A B C N - D - E G O P = Terminal Fuseholder

| Terminal Fuseholder | Configuration key |
|---------------------|-------------------|
| | |

6010-K - - A B C N - D - E G O P = Color

| Color | Configuration key |
|-------|-------------------|
| Black | A |
| Grey | B |

6010-K - - A B C N - D - E G O P = Style

| Style | Configuration key |
|-----------------------------|-------------------|
| snap-in (s=panel thickness) | 4 |

6010-K - - A B C N - D - E G O P = Mass S

| Mass "s" | Configuration key |
|----------|-------------------|
| 15 | |
| 20 | |
| 25 | |
| 30 | |

The dimension "S" is displayed in ($1/_{10}$ mm). This information is also valid for the order code

6010-K - - A B C N - D - E G O P = Features

| Features | Configuration key |
|----------|-------------------|
| not used | 0 |

6010-K - - A B C N - D - E G O P = Switches

| Switches | Configuration key |
|---|-------------------|
| unipolar switch, 4,8mm blade terminal, black rocker | 2 |
| unipolar switch, solder terminal, black rocker | 3 |
| bipolar switch, 4,8mm blade terminal, black rocker | 4 |
| bipolar switch, solder terminals, black rocker | 5 |
| bipolar switch, 4,8mm blade terminal, rocker red illuminated | 6 |
| bipolar switch, solder terminal, rocker red illuminated | 7 |
| bipolar switch, 4,8mm blade terminals, rocker green illuminated | 8 |
| bipolar switch, solder terminals, rocker green illuminated | 9 |

Packaging unit 50 Pcs

Mating Outlets/Connectors

Category / Description



Appliance Outlet Overview complete

| | |
|---|------|
| IEC Appliance Outlet F, Screw-on Mounting, Front Side, Solder Terminal | 4787 |
| IEC Appliance Outlet F, Snap-in Mounting, Front Side, Solder or Quick-connect Terminal | 4788 |
| IEC Appliance Outlet F or H, Screw-on Mounting, Front Side, Solder, PCB or Quick-connect Terminal | 5091 |

Appliance Outlet further types to 6010-K



Connector Overview complete

| | |
|--|--------|
| IEC Connector C15A, Rewireable, Straight | 0102 |
| IEC Connector C15A, Rewireable, Straight | 0102-G |
| IEC Connector C15A, Rewireable, Angled | 0112 |
| IEC Connector C13, Rewireable, Angled | 4012 |
| IEC Connector C13, Rewireable, Straight | 4022 |

Connector further types to 6010-K ...



Power Supply or Interconnection Cord Overview complete

| | |
|---|----------------|
| Diverse Power Supply and Interconnection Cords 10 A | Cord Sets 10 A |
|---|----------------|

Power Supply or Interconnection Cord further types to 6010-K

PHASSE