

2.54 mm THT DIP switch



See below:

[Approvals and Compliances](#)

**Description**

- Design 2.54 mm THT DIP switch

**Unique Selling Proposition**

- 2.54 mm standard pitch design
- Low profile
- High number of cycles
- Through hole terminal

**Weblinks**

[pdf data sheet](#), [html datasheet](#), [General Product Information](#), [CAD-Drawings](#), [Product News](#), [Detailed request for product](#)

**Technical Data**

**Electrical Data**

Switching Voltage	24 VDC (status changed often) 50 VDC (status constant)
Switching current	25 µA (status changed often) 100 mA (status constant)
Dielectric Strength	No breakdown at 500 V (50Hz~60Hz, 1min)
Contact Resistance	max. 50 mΩ (initial) max. 100 mΩ (after testing)

**Mechanical Data**

Actuating Force	≤ 8 N
Lifetime	2000 actuations

**Climatical Data**

Operating Temperature	-40 °C - 85 °C
Storage Temperature	-40 °C - 85 °C

**Soldering Data**

Soldering Methods	Wave Soldering, 2 times
Solderability	260 °C max. 5 sec

**Material**

Terminals	Gold-Plated Copper Alloy
Contact element	Gold-Plated Copper Alloy
Housing	plastic - black
Actuator	plastic - white




**Approvals and Compliances**

Detailed information on product approvals, code requirements, usage instructions and detailed test conditions can be looked up in [Details about Approvals](#)

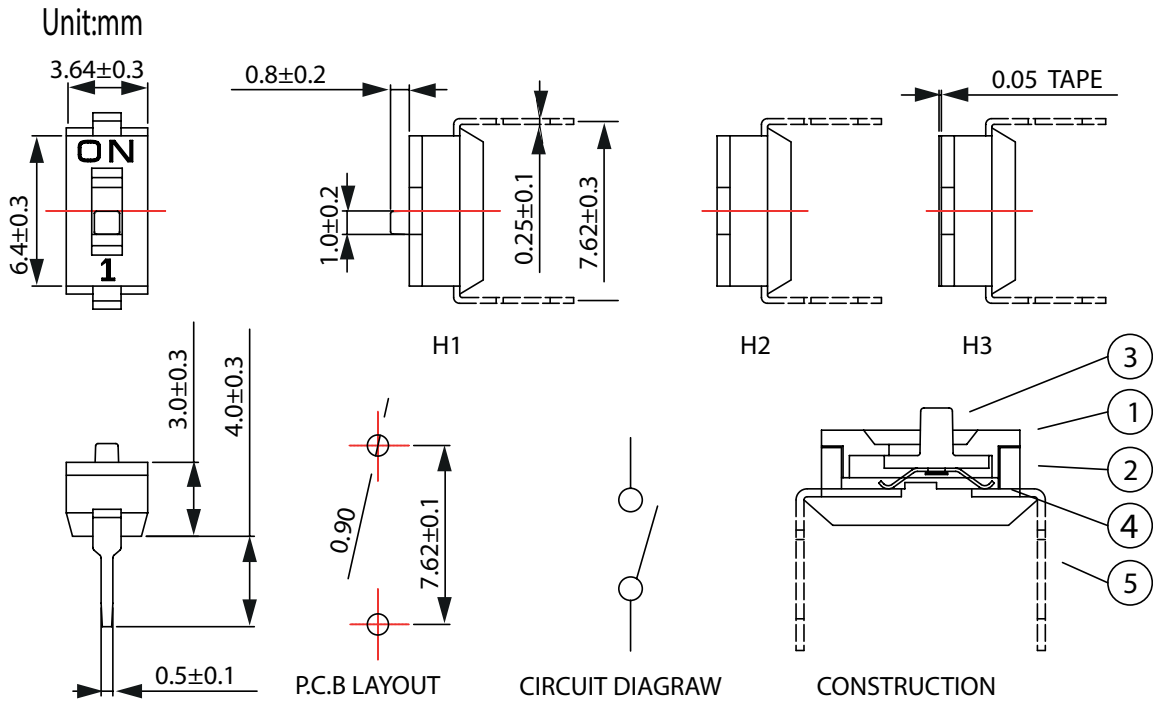
SCHURTER products are designed for use in industrial environments. They have approvals from independent testing bodies according to national and international standards. Products with specific characteristics and requirements such as required in the automotive sector according to IATF 16949, medical technology according to ISO 13485 or in the aerospace industry can be offered exclusively with customer-specific, individual agreements by SCHURTER.

**Compliances**

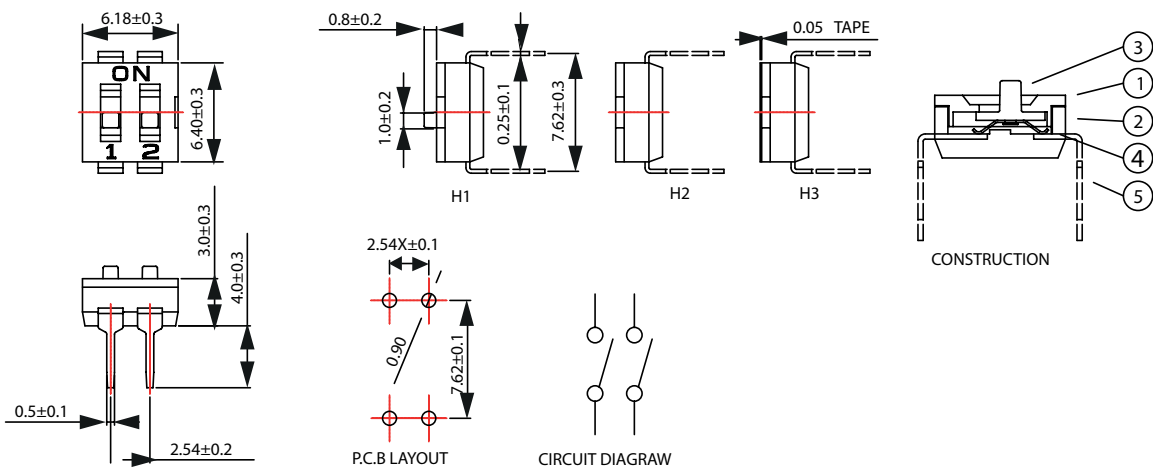
The product complies with following Guide Lines

Identification	Details	Initiator	Description
	<a href="#">RoHS</a>	SCHURTER AG	Directive RoHS 2011/65/EU, Amendment (EU) 2015/863
	<a href="#">China RoHS</a>	SCHURTER AG	The law SJ / T 11363-2006 (China RoHS) has been in force since 1 March 2007. It is similar to the EU directive RoHS.
	<a href="#">REACH</a>	SCHURTER AG	On 1 June 2007, Regulation (EC) No 1907/2006 on the Registration, Evaluation, Authorization and Restriction of Chemicals 1 (abbreviated as "REACH") entered into force.

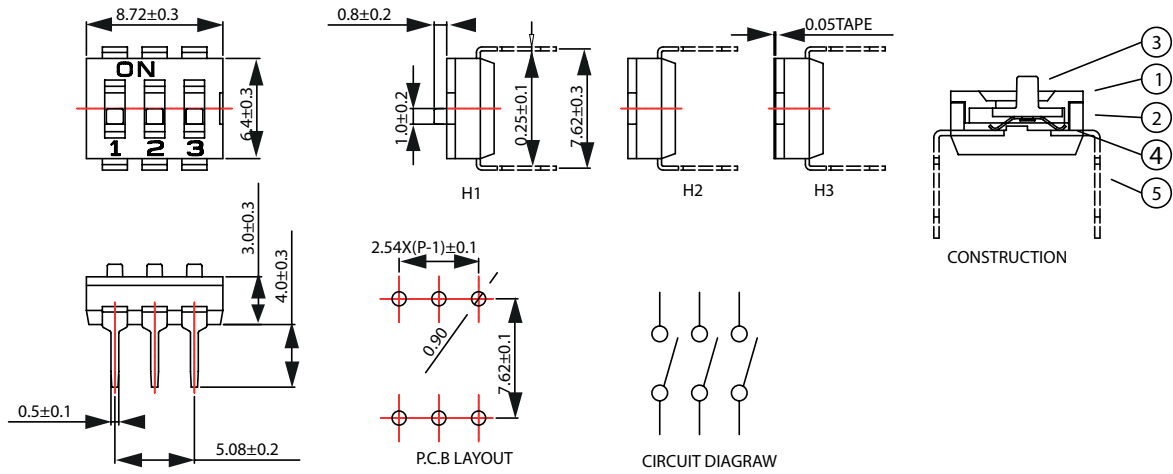
Dimension [mm]  
 DMTH 01



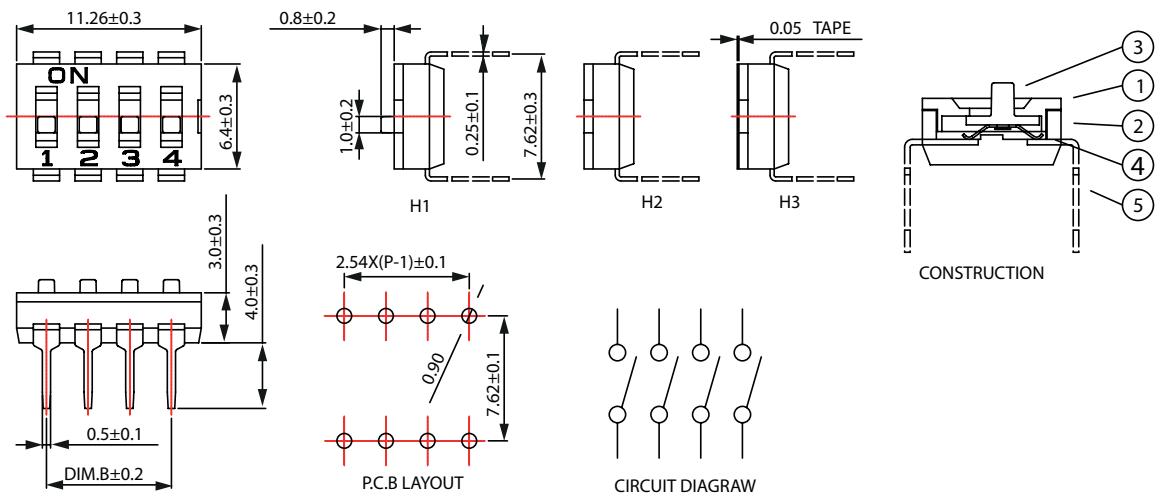
DMTH 02



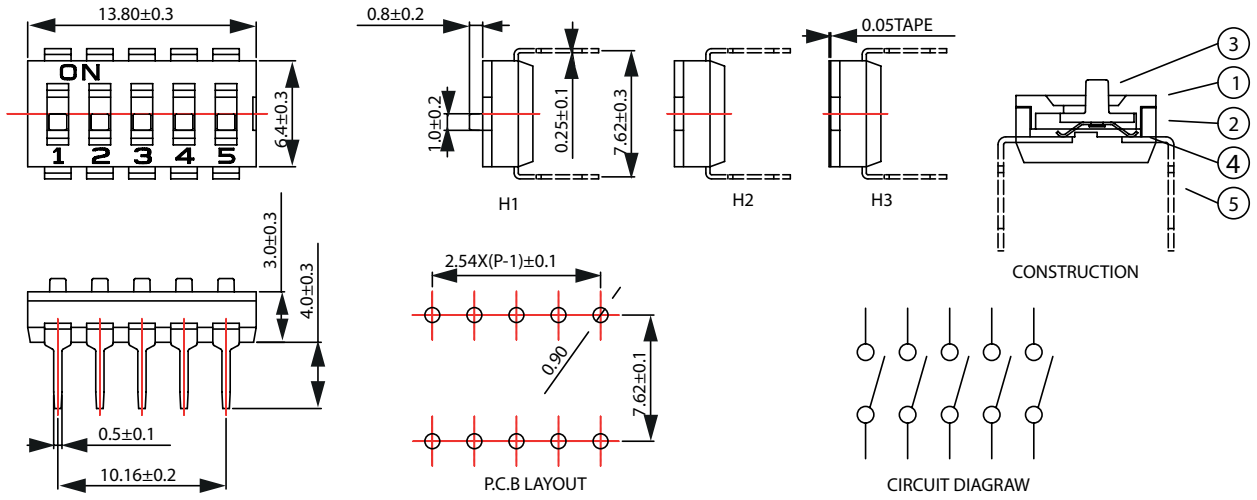
DMTH 03



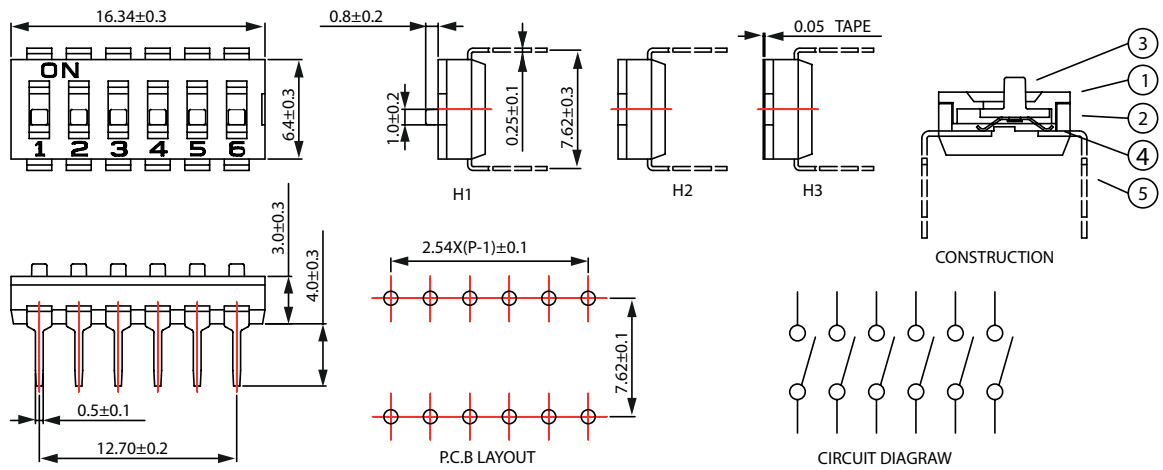
DMTH 04



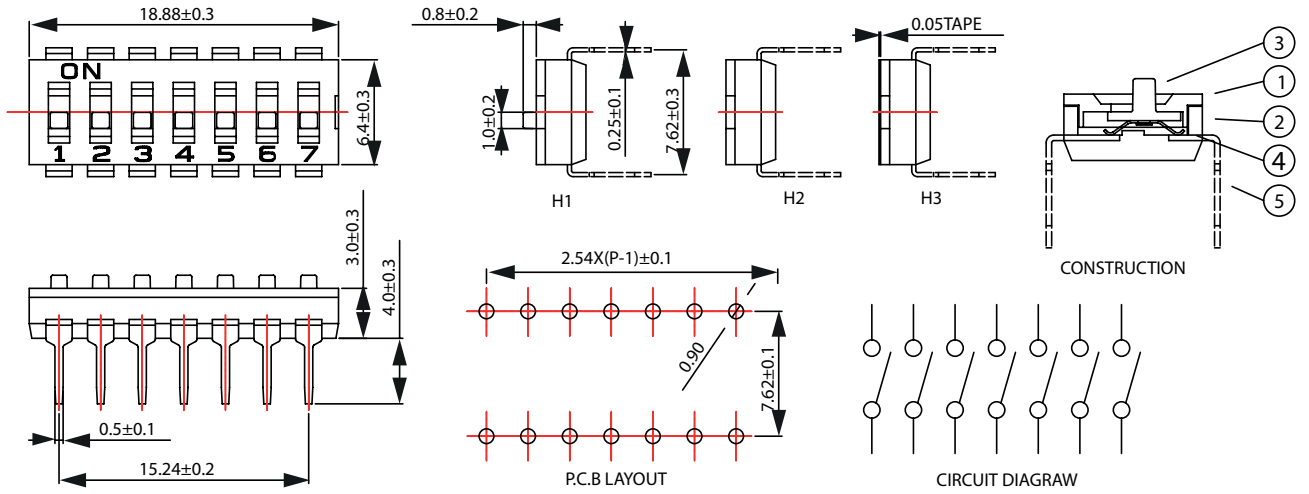
DMTH 05



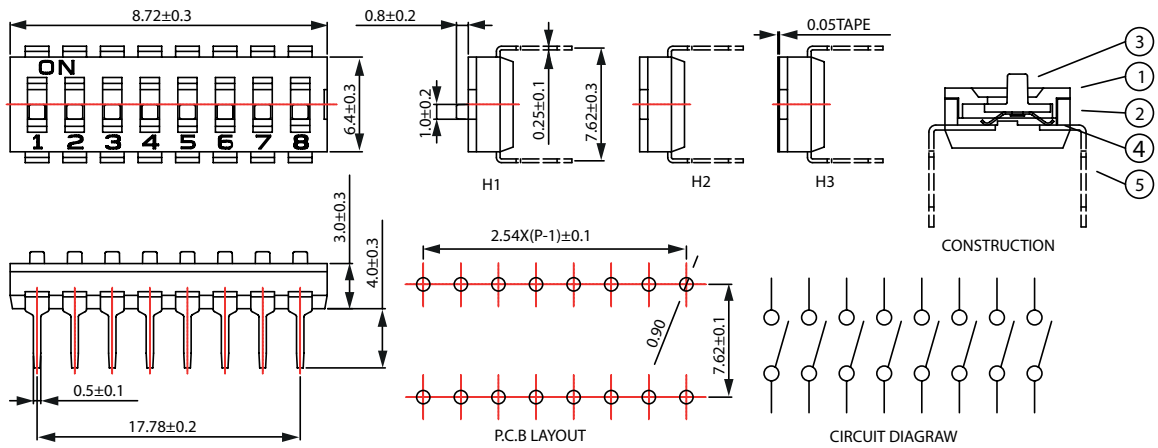
DMTH 06



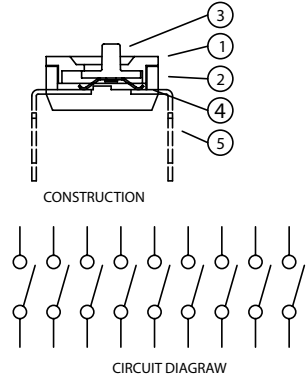
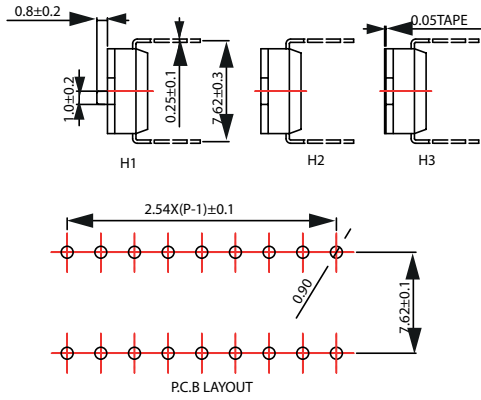
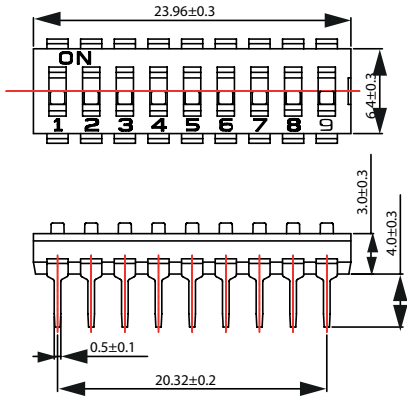
DMTH 07



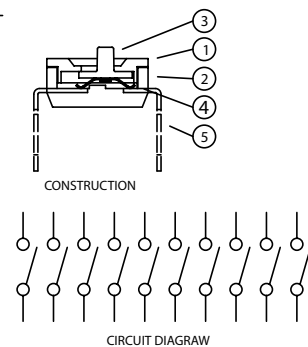
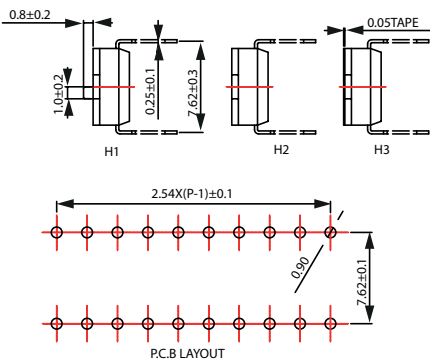
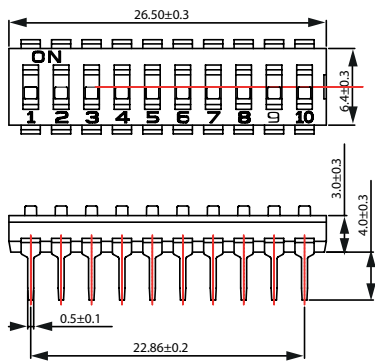
DMTH 08



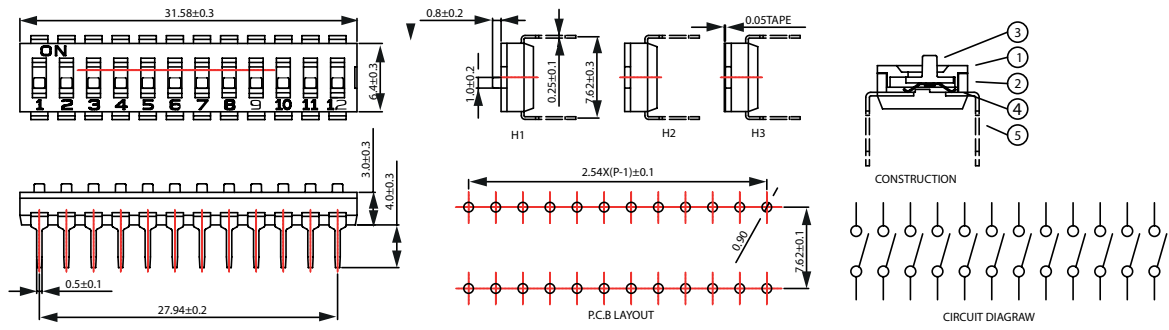
DMTH 09



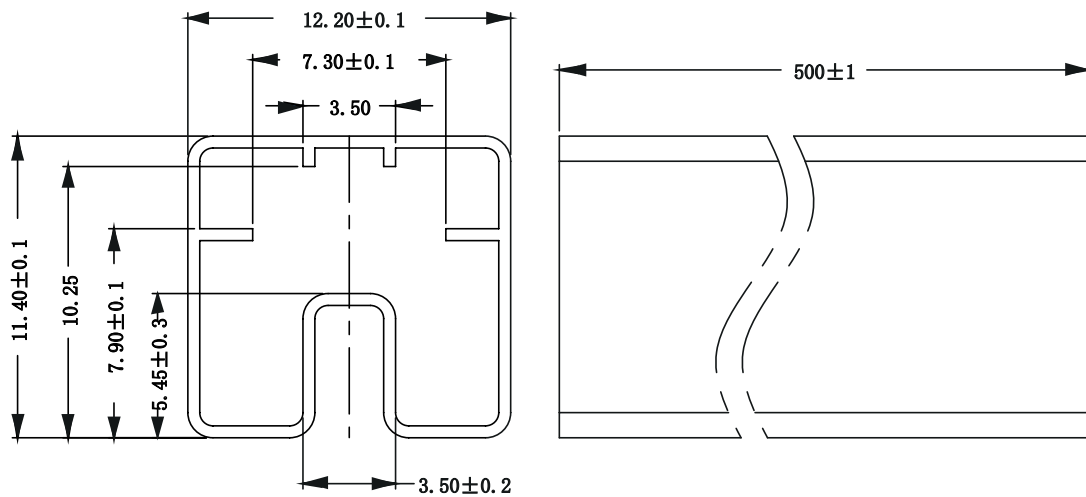
DMTH 10



DMTH 12



Packing Tube



## Packing

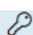
Tube

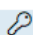
No. of pos.	Per Tube (pcs)	Per Box (pcs)
01	130	13000
02	77	7700
03	55	5500
04	42	4200
05	34	3400
06	29	2900
07	25	2500
08	22	2200
09	20	2000
10	18	1800
12	15	1500

## Order number key

<b>D</b>	<b>M</b>	<b>T</b>	<b>H</b>	-	<b>01</b>	-	<b>H2</b>	-	<b>T</b>	-	<b>T</b>
					<b>1</b>		<b>2</b>		<b>3</b>		<b>4</b>
					<b>2</b>		<b>3</b>		<b>4</b>		<b>5</b>

**Type**  **1**  
DMTH = DMTH

**Number of positions**  **2**  
01 = 01  
02 = 02  
03 = 03  
04 = 04  
05 = 05  
06 = 06  
07 = 07  
08 = 08  
09 = 09  
10 = 10  
12 = 12

**Actuator**  **3**  
Raised actuator = H1  
Recessed actuator = H2  
Recessed actuator w. top sealed mylar = H3

**Terminal type**  **4**  
Through hole = T

**Packing**  **5**  
Tube = T

Variants

Type	Number of positions	Actuating Force	Terminal type	Weight [g]	Config. Code	Order Number
DMTH	01	Recessed actuator	Through hole	0.1	DMTH-01-H2-T-T	3-162-100
DMTH	02	Recessed actuator	Through hole	0.18	DMTH-02-H2-T-T	3-162-101
DMTH	03	Recessed actuator	Through hole	0.25	DMTH-03-H2-T-T	3-162-266
DMTH	04	Recessed actuator	Through hole	0.34	DMTH-04-H2-T-T	3-162-102
DMTH	05	Recessed actuator	Through hole	0.42	DMTH-05-H2-T-T	3-162-267
DMTH	06	Recessed actuator	Through hole	0.51	DMTH-06-H2-T-T	3-162-103
DMTH	07	Recessed actuator	Through hole	0.59	DMTH-07-H2-T-T	3-162-268
DMTH	08	Recessed actuator	Through hole	0.69	DMTH-08-H2-T-T	3-162-104
DMTH	09	Recessed actuator	Through hole	0.77	DMTH-09-H2-T-T	3-162-269
DMTH	10	Recessed actuator	Through hole	0.85	DMTH-10-H2-T-T	3-162-105
DMTH	12	Recessed actuator	Through hole	0.99	DMTH-12-H2-T-T	3-162-106
DMTH	01	Recessed actuator with top sealed mylar	Through hole	0.1	DMTH-01-H3-T-T	3-162-107
DMTH	02	Recessed actuator with top sealed mylar	Through hole	0.18	DMTH-02-H3-T-T	3-162-108
DMTH	03	Recessed actuator with top sealed mylar	Through hole	0.26	DMTH-03-H3-T-T	3-162-270
DMTH	04	Recessed actuator with top sealed mylar	Through hole	0.35	DMTH-04-H3-T-T	3-162-109
DMTH	05	Recessed actuator with top sealed mylar	Through hole	0.43	DMTH-05-H3-T-T	3-162-271
DMTH	06	Recessed actuator with top sealed mylar	Through hole	0.52	DMTH-06-H3-T-T	3-162-111
DMTH	07	Recessed actuator with top sealed mylar	Through hole	0.59	DMTH-07-H3-T-T	3-162-272
DMTH	08	Recessed actuator with top sealed mylar	Through hole	0.68	DMTH-08-H3-T-T	3-162-112
DMTH	09	Recessed actuator with top sealed mylar	Through hole	0.78	DMTH-09-H3-T-T	3-162-273
DMTH	10	Recessed actuator with top sealed mylar	Through hole	0.86	DMTH-10-H3-T-T	3-162-113
DMTH	12	Recessed actuator with top sealed mylar	Through hole	1	DMTH-12-H3-T-T	3-162-114
DMTH	01	Raised actuator	Through hole	0.1	DMTH-01-H1-T-T	3-162-115
DMTH	02	Raised actuator	Through hole	0.19	DMTH-02-H1-T-T	3-162-116
DMTH	03	Raised actuator	Through hole	0.27	DMTH-03-H1-T-T	3-162-274
DMTH	04	Raised actuator	Through hole	0.36	DMTH-04-H1-T-T	3-162-117
DMTH	05	Raised actuator	Through hole	0.45	DMTH-05-H1-T-T	3-162-275
DMTH	06	Raised actuator	Through hole	0.55	DMTH-06-H1-T-T	3-162-118
DMTH	07	Raised actuator	Through hole	0.63	DMTH-07-H1-T-T	3-162-276
DMTH	08	Raised actuator	Through hole	0.7	DMTH-08-H1-T-T	3-162-119
DMTH	09	Raised actuator	Through hole	0.79	DMTH-09-H1-T-T	3-162-277
DMTH	10	Raised actuator	Through hole	0.88	DMTH-10-H1-T-T	3-162-120
DMTH	12	Raised actuator	Through hole	1.02	DMTH-12-H1-T-T	3-162-121

Availability for all products can be searched real-time: <https://www.schurter.com/en/info-center/support-tools/stock-check-distributors>