

Metal Switch Medium Stroke, Switching Voltage up to 35 VDC



MCS ES 18

See below:

**Approvals and Compliances**

**Description**

- Vandal-proof momentary switch with a diameter of 18 mm
- Assembly by mounting with nut
- Screw terminal

**Characteristics**

- Housing material in high-quality stainless steel or aluminium
- Rugged design, protection against vandalism
- For use in harsh environments, both indoors and outdoors (see technical data)

**References**

Alternative: Other diameter

**Weblinks**

[pdf data sheet](#), [html datasheet](#), [General Product Information](#), [CAD-Drawings](#), [Product News](#), [Detailed request for product](#)

**Technical Data**

**Electrical Data**

**Contact Material Silver**

Switching Voltage	min. 3 VAC/VDC
	max. 35 VAC/VDC
Switching current	min. 5 mA AC/DC
	max. 2 A AC/DC
Rated Switching Capacity	70 W AC/DC
Lifetime	200'000 actuations
Contact Resistance	< 50 mΩ
Insulation Resistance	> 1'000 MΩ
Duration of Bounce	< 10 ms

**Mechanical Data**

Actuating Force	4 N
Actuating Travel	1.8 mm
Lifetime	200'000 actuations
Shock Protection	IK09
Mounting screw torque	0.8 Nm

**Climatical Data**

Operating Temperature	-25 to 55 °C
Storage Temperature	-25 to 55 °C
IP-Protection	IP65

**Material**

Contact Material	Ag
Housing	Stainless Steel
Actuator unlettered	Stainless Steel

**Approvals and Compliances**

Detailed information on product approvals, code requirements, usage instructions and detailed test conditions can be looked up in [Details about Approvals](#)

SCHURTER products are designed for use in industrial environments. They have approvals from independent testing bodies according to national and international standards. Products with specific characteristics and requirements such as required in the automotive sector according to IATF 16949, medical technology according to ISO 13485 or in the aerospace industry can be offered exclusively with customer-specific, individual agreements by SCHURTER.


**Product standards**

Product standards that are referenced

Organization	Design	Standard	Description
	Designed according to	EN 50102	Switches for appliances. Part 1. General requirements



**Application standards**

Application standards where the product can be used

Organization	Design	Standard	Description
	Suitable for applications acc.	IEC/UL 62368-1	Audio/video, information and communication technology equipment - Part 1: Safety requirements

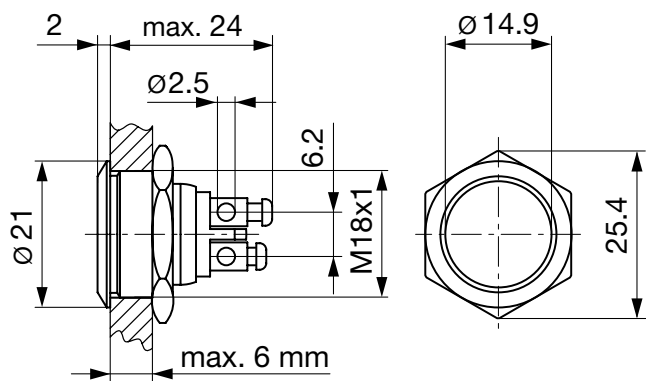
## Compliances

The product complies with following Guide Lines

Identification	Details	Initiator	Description
	RoHS	SCHURTER AG	Directive RoHS 2011/65/EU, Amendment (EU) 2015/863
	REACH	SCHURTER AG	On 1 June 2007, Regulation (EC) No 1907/2006 on the Registration, Evaluation, Authorization and Restriction of Chemicals 1 (abbreviated as "REACH") entered into force.

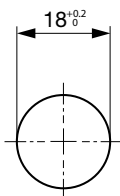
## Dimension [mm]

MCS ES 18



## Dimension

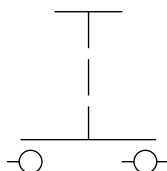
MCS ES 18



Drilling diagram

## Diagrams

MCS ES 18



**Variants**

Switching current	Switching Voltage	Contact Material	Shock Protection	Torsion Protection	IP Protection Class Front Side	Config. Code	Order Number
[A]	[VAC/VDC]						
2A AC/DC	35 VAC/VDC	Ag	IK09	no	IP65	MCS ES 18	1301.9560

Nut with gasket are enclosed in the box.

Availability for all products can be searched real-time: <https://www.schurter.com/en/info-center/support-tools/stock-check-distributors>

**Packaging unit** 40 in cardboard box



- Actuating elements in ESD safe packaging
- Screw nuts and sealing rings in a bag (enclosed in the box)
- Micro switches (enclosed in the box)