

Multibox 63A, DIII



See below:

[Approvals and Compliances](#)

Description

- Glass fiber Polyester
- Difficult to burn
- Impact resistant

Unique Selling Proposition

- Modern, practical design
- On request flush-mounted cover with stainless steel plate
- Thanks to only 117mm installation depth and insulation material, the insulated building envelope is not weakened when installed in flush-mounting
- Suitable for minergie standard

Characteristics

- Bolt lock (4-kant with Slot)
- Protection 2-piece, transparent and sealable
- N-connector for TN-C to TN-S
- N-connector separating Piece self-opening when loosening the screw
- Combination possible
- Refined connection technology
- Mounting type surface / flush

References

Alternative: Direct installation in concrete or other rated current

Weblinks

[pdf data sheet](#), [html datasheet](#), [Detailed request for product](#), [Microsite](#)

Customer Specific Solutions

Whether surface or flush-mounted, with Multibox you always work with the same housings and fuse elements (60A) or switch-disconnectors (DIN00). The additional housings, which can be attached with one click, give you maximum flexibility with a minimum of effort.

Technical Data

Rated Current Ie	63A @ 500VAC	Rated Impulse Withstand Voltage Uimp	6kV
Rated voltage Ue	500VAC	Conditioned Rated Short Circuit Current	50kA @ 500VAC
Rated isolation voltage Ui	1000VAC	Rated short-time withstand current with fuse links	20kA @ 500VAC
Rated Power Operating Frequency fe	50Hz	Allowed Ambient Temperature	-25°C to +40°C acc. to IEC 61439
		Protection by closed housing	IP54

Terminals




Element with Double Straps	6 - 50mm ²	Earth Connection Bride	6 - 50mm ²
Neutral Disconnecter with Double Straps	6 - 50mm ²	Double terminal	6 - 50mm ²
		Earth Connection	6 - 50mm ²
		Earth Connection (outside)	M8

Approvals and Compliances

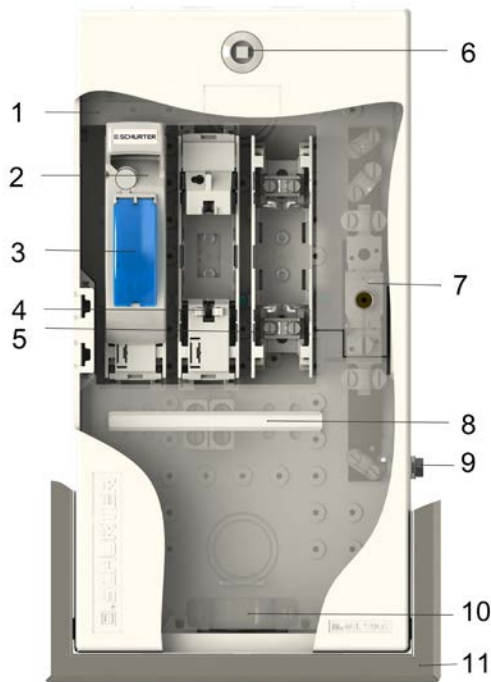
Detailed information on product approvals, code requirements, usage instructions and detailed test conditions can be looked up in [Details about Approvals](#)

Compliances

The product complies with following Guide Lines

Identification	Details	Initiator	Description
	CE declaration of conformity	SCHURTER AG	The CE marking declares that the product complies with the applicable requirements laid down in the harmonisation of Community legislation on its affixing in accordance with EU Regulation 765/2008.
	UKCA declaration of conformity	SCHURTER AG	The UKCA marking declares that the product complies with the applicable requirements laid down in the British Amendment of Regulation (EC) 765/2008.
	REACH	SCHURTER AG	On 1 June 2007, Regulation (EC) No 1907/2006 on the Registration, Evaluation, Authorization and Restriction of Chemicals 1 (abbreviated as "REACH") entered into force.

Assembly Instructions



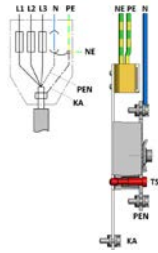
1. Cover Plate 2-piece, transparent and lockeable
2. NH-NH fuse load-breaker
3. Hinged window
4. Inner Cover
5. Various connection variants-clamp-Cable lug-Double terminals
6. Square lock
7. Neutral conductor isolator for TN-S/TN-C
8. Labeling field
9. External ground connection (optional)
10. Cable fixing (optional)
11. Front frame for UP mounting



12. 63A- Fuse element with different connection variants

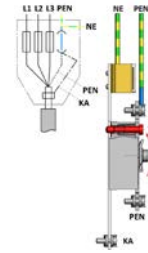
Diagrams

TN-S (delivered condition)



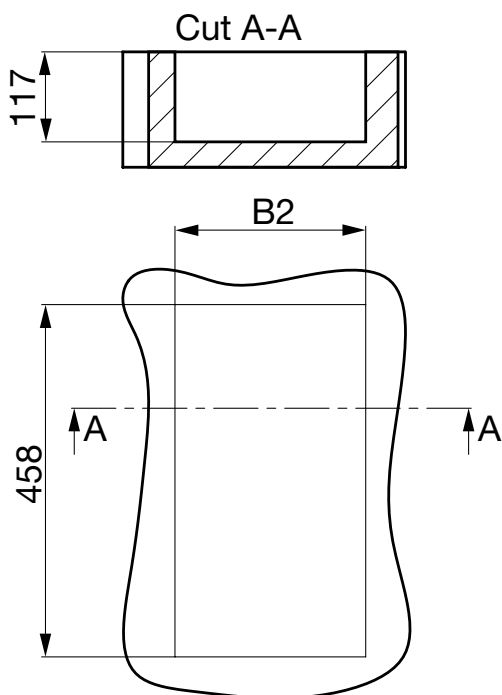
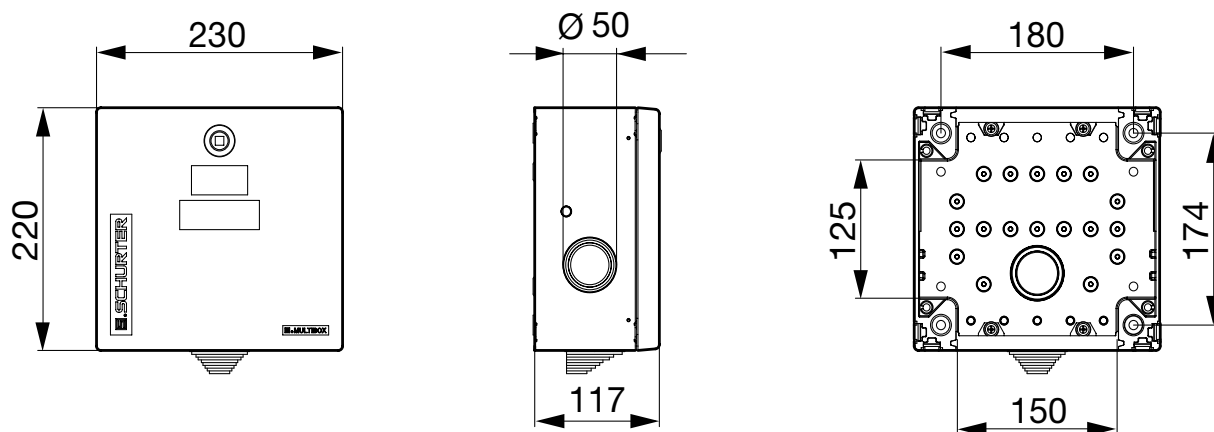
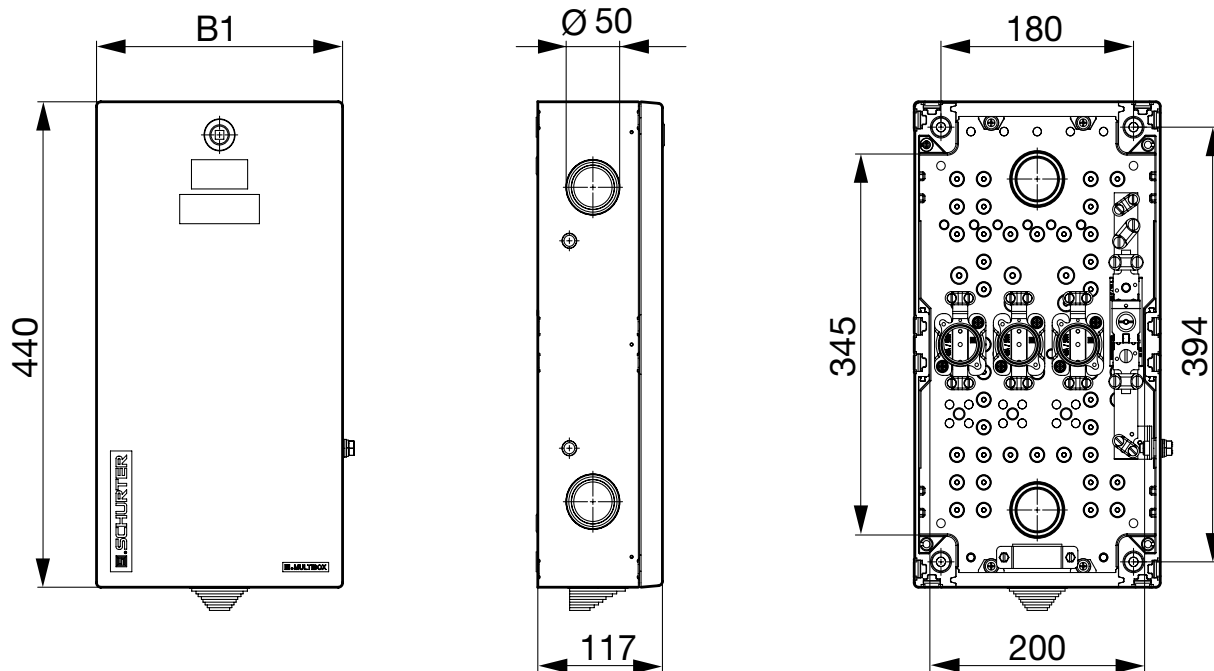
L = Pole conductor
PE = Protective conductor
PEN = PEN conductor
N = Neutral conductor
NE = Neutral earth conductor
TS = Separating screw
KA = Cable armor

TN-C



L = Pole conductor
PE = Protective conductor
PEN = PEN conductor
N = Neutral conductor
NE = Neutral earth conductor
TS = Separating screw
KA = Cable armor

Order number key



Version	B1	B2	Styrofoamblock
HAK	230	248	0011.9817
Combi 1+2	460	478	0011.9818
Combi 3+4	690	708	0011.9819
Combi 7	920	938	-

Installation with Styrofoamblock according to table

Mounting type

- 1= AP/ Surface-mounted with external earth
- 2= AP/ Surface-mounted without external earth
- 3= UP/ Flush-mounted without external earth, with building cover

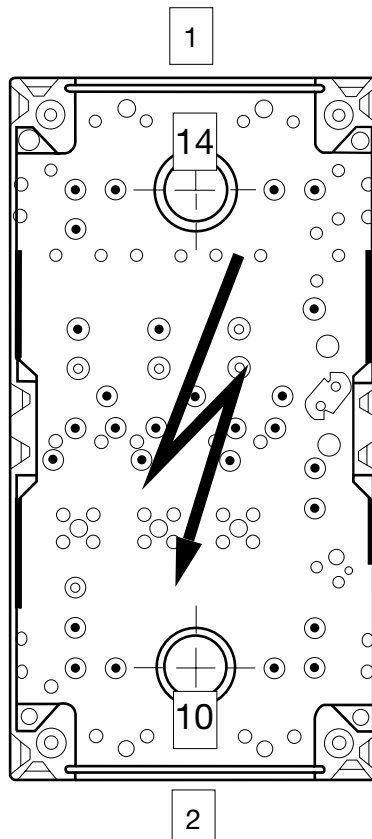
Connection of the screw element and neutral disconnecter

- 63 A**
- 1= Inlet double strap / outlet double strap
 - 2= Inlet double terminal / outlet double strap

- 1= 160 A/ TN-S/ TN-C

Accessories

			1	2	3	4	5	6	7	8	9	10	11	12	13	14	15	16	17	18	19
					X	X	X	X	X	X	X		X	X	X		X	X	X	X	X



Mounting type

- 1= AP/ Surface-mounted without external earth
- 2= UP/ Flush-mounted without external earth, with building cover

Neutral disconnecter

- 1= 160 A/ TN-S/ TN-C

Current

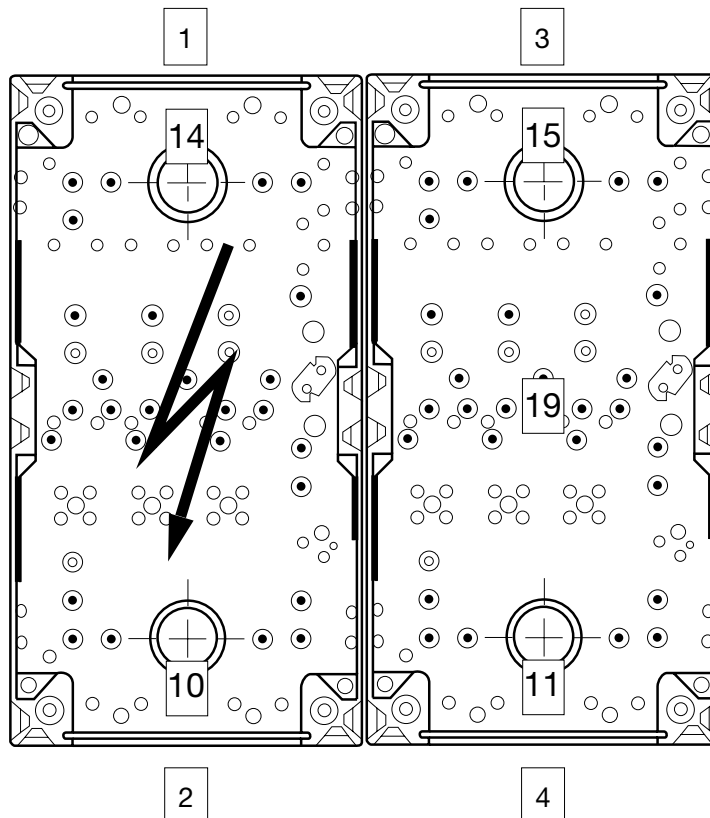
- 1= 63 A
- 2= 160 A

Connection type of the element DIII / DIN0

- 63 A
- 1= Inlet double strap / outlet double strap
 - 2= Inlet double terminal / outlet double strap
- 160 A
- 3= Inlet terminal 70mm² / outlet terminal 70mm²
 - 4= Inlet screw / outlet terminal 70mm²
 - 5= Inlet screw / outlet screw
 - 6= Inlet double terminal / outlet terminal 70mm²

Accessories

<input type="checkbox"/>	<input type="checkbox"/>	<input type="checkbox"/>	<input type="checkbox"/>	<input type="checkbox"/>	1	2	3	4	5	6	7	8	9	10	11	12	13	14	15	16	17	18	19
<input type="checkbox"/>	<input type="checkbox"/>	<input type="checkbox"/>	<input type="checkbox"/>	<input type="checkbox"/>	<input type="checkbox"/>	<input type="checkbox"/>	<input type="checkbox"/>	<input type="checkbox"/>	X	X	X	X	X	<input type="checkbox"/>	<input type="checkbox"/>	X	X	<input type="checkbox"/>	<input type="checkbox"/>	X	X	X	<input type="checkbox"/>



Mounting type

1= AP/ Surface-mounted without external earth
 2= UP/ Flush-mounted without external earth, with building cover

Neutral disconnecter

1= 160 A/ TN-S/ TN-C

Current

1= 63 A
 2= 160 A

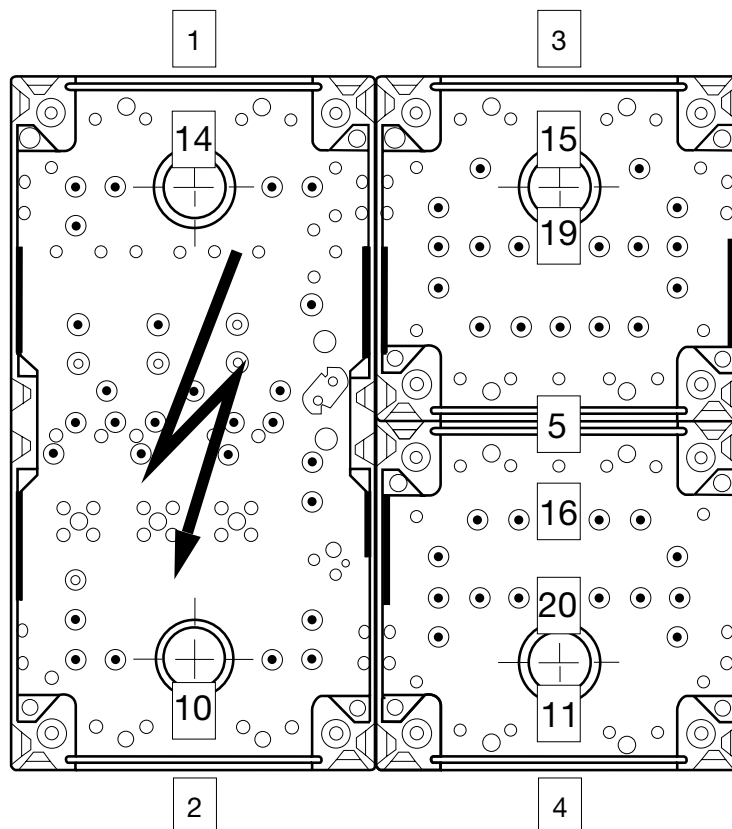
Connection type of the element DIII / DIN0

63 A
 1= Inlet double strap / outlet double strap
 2= Inlet double terminal / outlet double strap

160 A
 3= Inlet terminal 70mm² / outlet terminal 70mm²
 4= Inlet screw / outlet terminal 70mm²
 5= Inlet screw / outlet screw
 6= Inlet double terminal / outlet terminal 70mm²

Accessories

<input type="checkbox"/>	<input type="checkbox"/>	<input type="checkbox"/>	<input type="checkbox"/>	<input type="checkbox"/>	1	2	3	4	5	6	7	8	9	10	11	12	13	14	15	16	17	18	19	20
<input type="checkbox"/>	<input type="checkbox"/>	<input type="checkbox"/>	<input type="checkbox"/>	<input type="checkbox"/>	<input type="checkbox"/>	<input type="checkbox"/>	<input type="checkbox"/>	<input type="checkbox"/>	<input type="checkbox"/>	X	X	X	X	<input type="checkbox"/>	<input type="checkbox"/>	X	X	<input type="checkbox"/>	<input type="checkbox"/>	<input type="checkbox"/>	X	X	<input type="checkbox"/>	<input type="checkbox"/>



Mounting type

1= AP/ Surface-mounted without external earth
 2= UP/ Flush-mounted without external earth, with building cover

Neutral disconnecter

1= 160 A/ TN-S/ TN-C

Current

1= 63 A
 2= 160 A

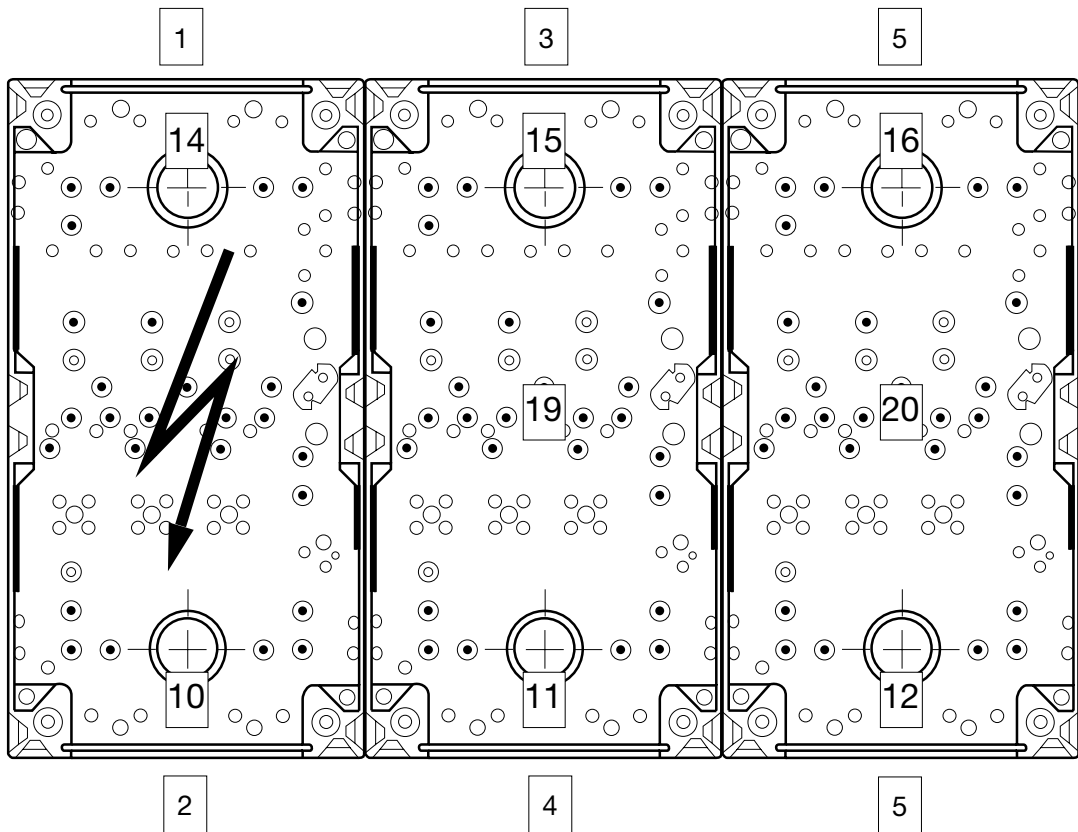
Connection type of the element DIII / DIN0

63 A
 1= Inlet double strap / outlet double strap
 2= Inlet double terminal / outlet double strap

160 A
 3= Inlet terminal 70mm² / outlet terminal 70mm²
 4= Inlet screw / outlet terminal 70mm²
 5= Inlet screw / outlet screw
 6= Inlet double terminal / outlet terminal 70mm²

Accessories

<input type="checkbox"/>	<input type="checkbox"/>	<input type="checkbox"/>	<input type="checkbox"/>	<input type="checkbox"/>	<input type="checkbox"/>	<input type="checkbox"/>	<input type="checkbox"/>	<input type="checkbox"/>	<input type="checkbox"/>	<input type="checkbox"/>	<input type="checkbox"/>	<input type="checkbox"/>	<input type="checkbox"/>	<input type="checkbox"/>	<input type="checkbox"/>	<input type="checkbox"/>	<input type="checkbox"/>	<input type="checkbox"/>	<input type="checkbox"/>	<input type="checkbox"/>	<input type="checkbox"/>	<input type="checkbox"/>	<input type="checkbox"/>	<input type="checkbox"/>	<input type="checkbox"/>	<input type="checkbox"/>	<input type="checkbox"/>	<input type="checkbox"/>	<input type="checkbox"/>		
								X	X	X				X					X	X											



Mounting type

- 1= AP/ Surface-mounted without external earth
- 2= UP/ Flush-mounted without external earth, with building cover

Neutral disconnecter

- 1= 160 A/ TN-S/ TN-C

Current

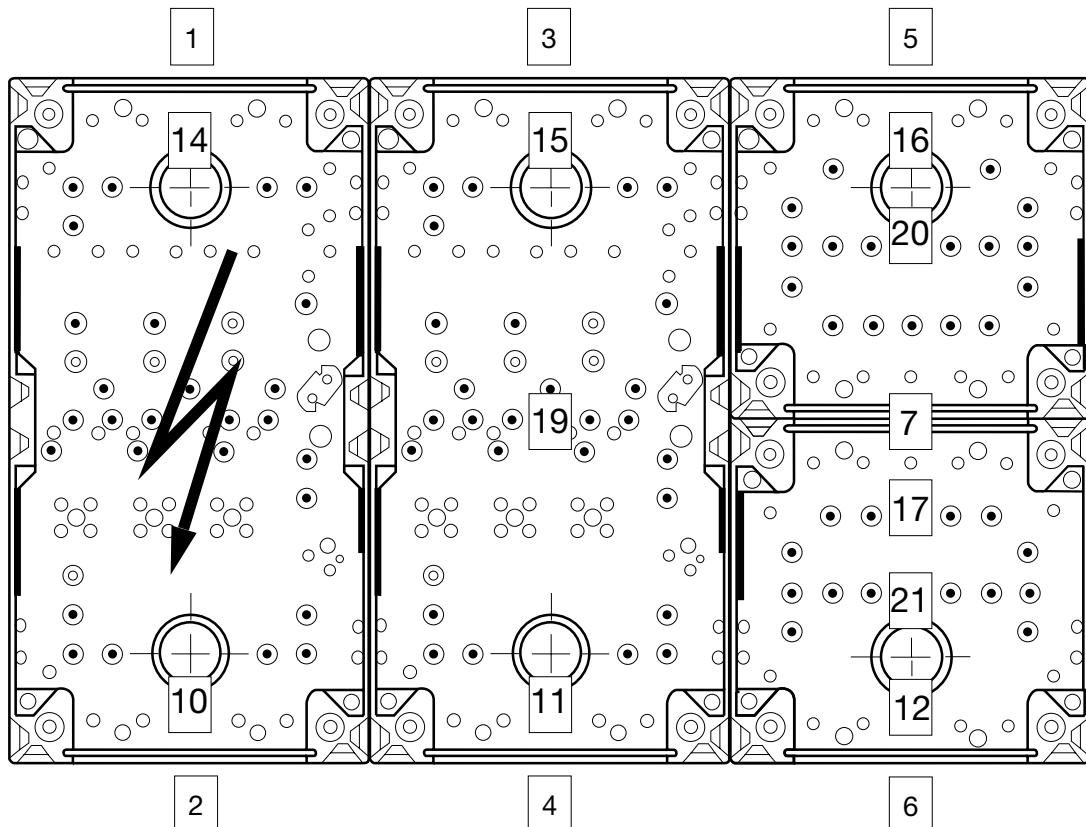
- 1= 63 A
- 2= 160 A

Connection type of the element DIII / DIN0

- 63 A**
- 1= Inlet double strap / outlet double strap
- 2= Inlet double terminal / outlet double strap
- 160 A**
- 3= Inlet terminal 70mm² / outlet terminal 70mm²
- 4= Inlet screw / outlet terminal 70mm²
- 5= Inlet screw / outlet screw
- 6= Inlet double terminal / outlet terminal 70mm²

Accessories

				1	2	3	4	5	6	7	8	9	10	11	12	13	14	15	16	17	18	19	20	21	
											X	X				X						X			



Mounting type

- 1= AP/ Surface-mounted without external earth
- 2= UP/ Flush-mounted without external earth, with building cover

Neutral disconnecter

- 1= 160 A/ TN-S/ TN-C

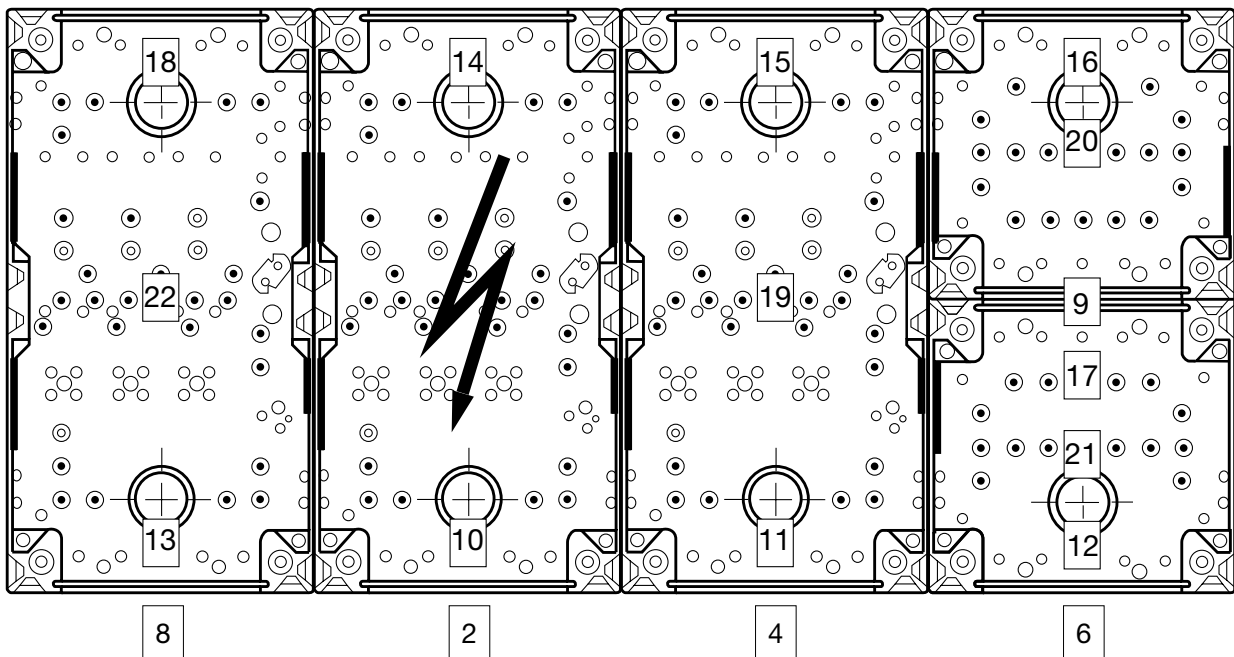
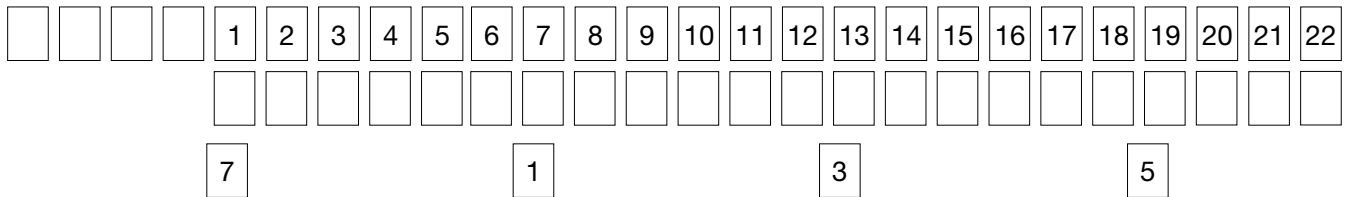
Current

- 1= 63 A
- 2= 160 A

Connection type of the element DIII / DIN0

- 63 A
- 1= Inlet double strap / outlet double strap
 - 2= Inlet double terminal / outlet double strap
- 160 A
- 3= Inlet terminal 70mm² / outlet terminal 70mm²
 - 4= Inlet screw / outlet terminal 70mm²
 - 5= Inlet screw / outlet screw
 - 6= Inlet double terminal / outlet terminal 70mm²

Accessories



Andere Kombinationen sind möglich. Teilen Sie uns bitte Ihren Wunsch mit. Wir beraten Sie gerne.
 Ausführung mit Hochleistungsautomaten auf Anfrage.

Accessories



Cover
 No 1-9

- A = undrilled
- C = 2x stepped (compl.)
- D = 1x M40
- E = 1x M50
- F = 1x M63
- G = 2x M40
- H = 2x M50
- J = 2x M63
- K = 1x M40 + 1x M16
- M = 1x M50 + 1x M25
- N = 1x M63 + 1x M16
- O = 1x Ø 35mm

- AD = 1x Ø 35 mm + 1x Ø 16mm
- P = 2x Ø 35mm
- Q = 1x Ø 50mm
- R = 1x Ø 60mm
- AE = 2x Ø 60mm
- S = 1x Ø 55mm
- T = 1x stepped (compl.)
- V = 1x square
- X = 1x M16
- Y = 2x M25
- AB = 1x M25
- AA = 5x M25



Cable fixation with clamp and rubber
 No 10-13

- A = without cable fixation
- B = single clamp Ø 42mm
- C = single clamp Ø 24mm
- D = double clamp Ø 42mm
- E = double clamp Ø 24mm



Lock
 No 14-18

- C = with EMKA-Lock
- D = with KABA-Lock
- E = with 4-Kant 8x8 and slot



DIN-Rail / Monting panel
 No 19-22

- A = without DIN-Rail / Monting panel
- B = with DIN-Rail
- C = with Mounting panel



Front frame

- 1/1 0011.0901
- Combi 1+ 2 0011.0903
- Combi 3 + 4 0011.0904
- Combi 7 0011.0905

All Variants

Designation	Terminal	Order Number	E-No.
MULTIBOX AP HAK 63A DIII+0+E	Straps	0009.5161	111DDAA ¹⁾
MULTIBOX AP HAK 63A DW DIII+0+E	Double Terminal	0009.5163	121DDAA ¹⁾
MULTIBOX UP HAK 63A DIII+0	Straps	0009.5162	311QQBA ¹⁾
MULTIBOX UP HAK 63A DW DIII+0	Double Terminal	0009.5164	321QQBA ¹⁾

Availability for all products can be searched real-time: <https://www.schurter.com/en/info-center/support-tools/stock-check-distributors>

¹⁾ E-Nr. corrisponde to ordercode

Packaging unit

1 Pcs